

POWER ACCESSORIES

UJC

Underground Junction Chamber

CATALOGUE 2024

 Nexans

UNDERGROUND JUNCTION CHAMBER

For wind and solar farms, the underground junction chamber serves as a crucial connecting point for cable jointing and branching applications. When strategically installed, these chambers facilitate the efficient distribution and management of electrical power generated by renewable energy sources and help protect vital connections from environmental factors such as weather and physical damage.



Patent pending
PCT/IB2024/000263



CHARACTERISTICS



BENEFITS

Voltage 42 kV

APPLICATION: The chamber is specifically designed to be installed in underground conditions

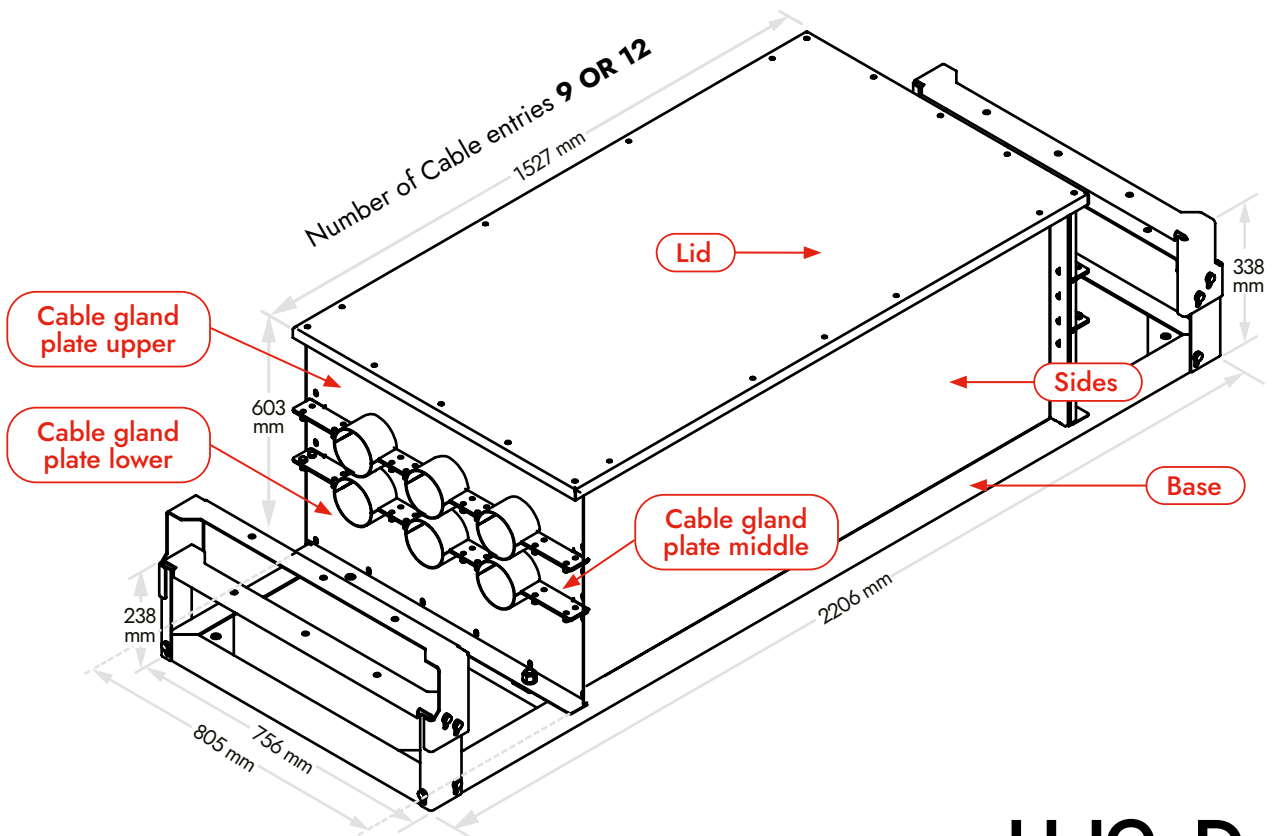
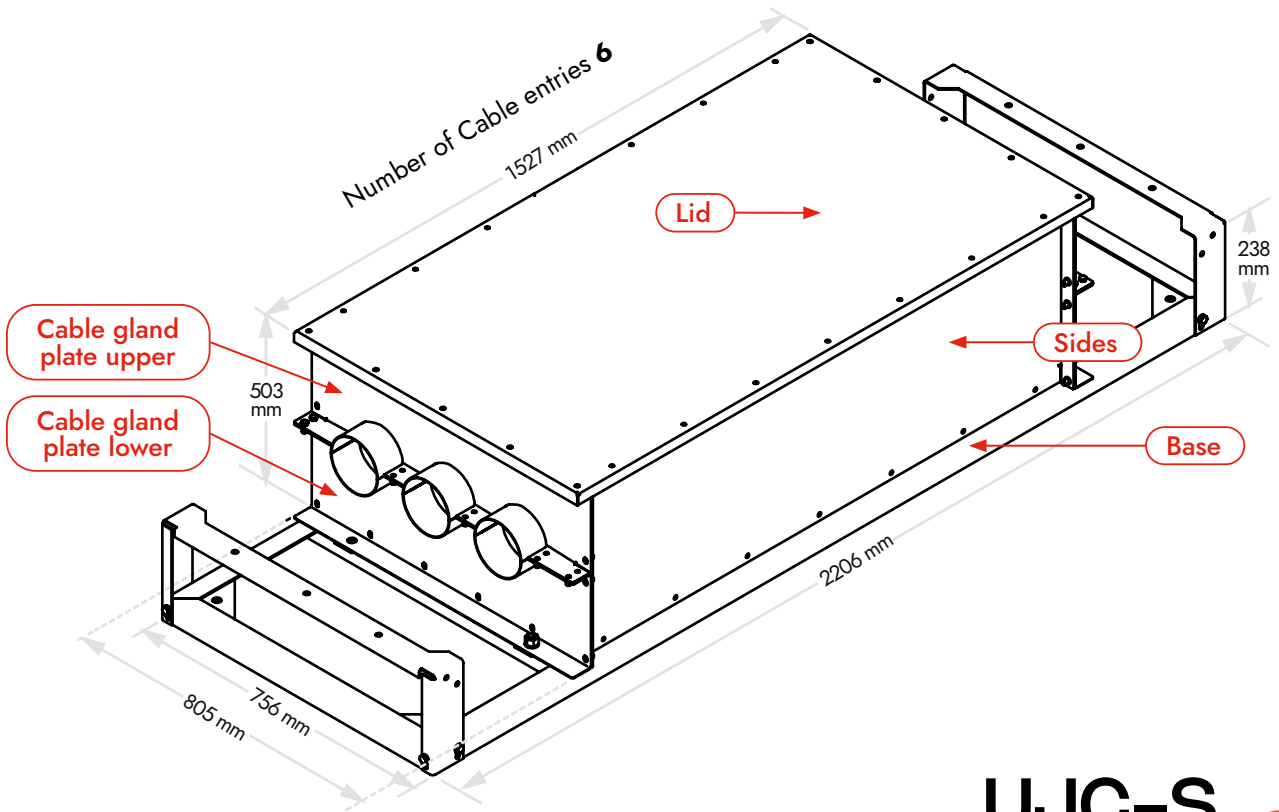
- Reduction of land footprint
- Joining/branching cables with different cross-sections
- High reliability of installation
- Good test and demarcation point
- Caters for installation of monitoring equipment

TECHNICAL

- Burial type 316 stainless steel housing.
- Robust design with IP68 degree of protection (IEC60529/AS60529)
- Suitable for voltages up to 42 kV, 900 Amps
- Suitable for cables up to 1200 mm²
- Diameter of outer cable should be min. 26 mm and max. 98 mm

UNDERGROUND JUNCTION CHAMBER

The underground junction chamber is of a burial type and consists of:

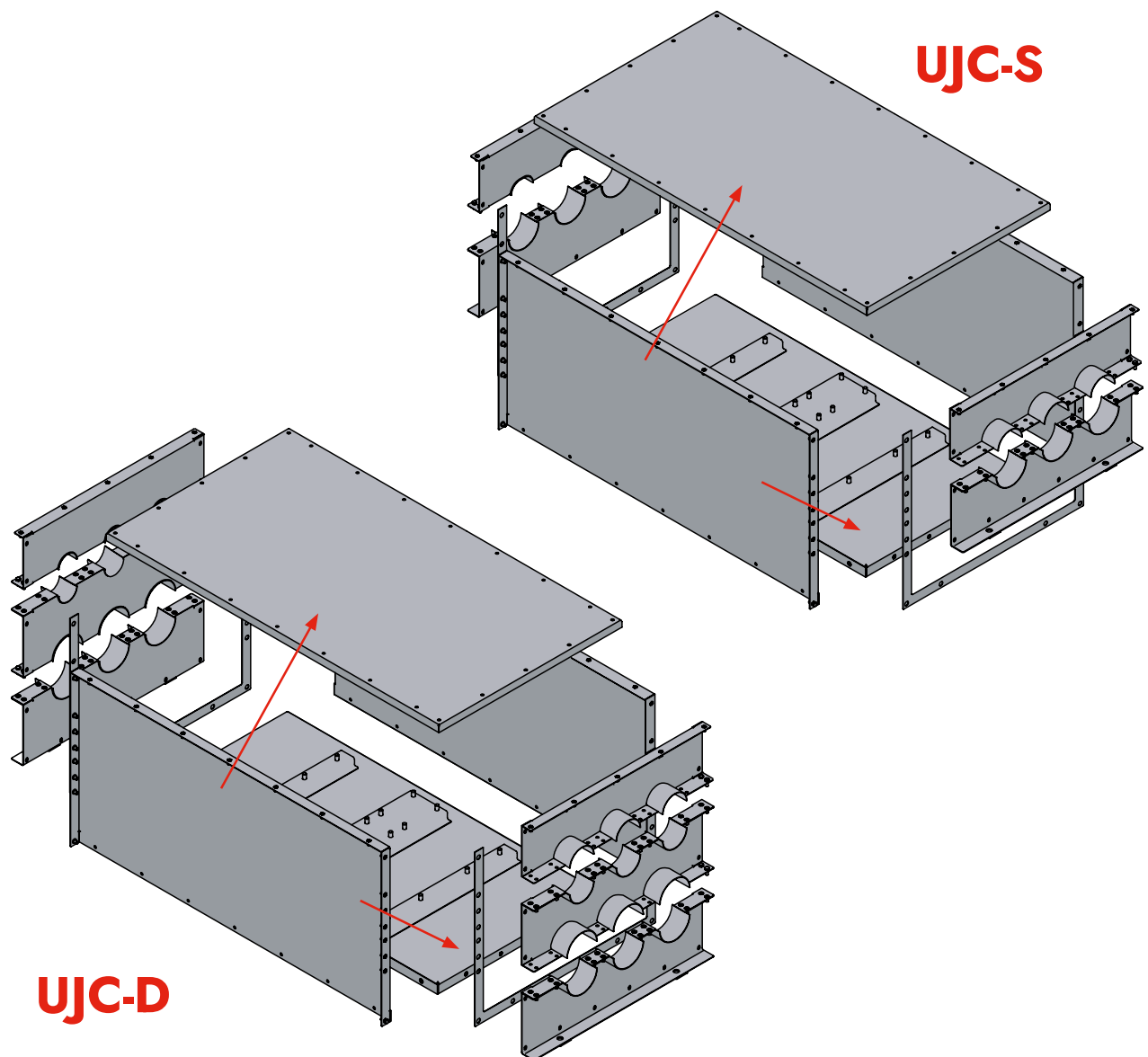


COMPLETE AND READY TO INSTALL

The UJC is delivered with specific site location labels and comes complete with all cable accessories to terminate the cables entering at that point.

REMOVABLE WALLS

All walls and entry points of the UJC can be fully dismantled to facilitate installation.



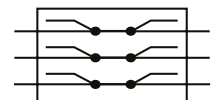
ARRANGEMENTS



Junction chamber can be equipped with different connectors. See catalogue pages for more details.



Possibility to add surge arresters to protect equipment from high voltage surges. See catalogue pages for more details.



ACCESSORIES

Current capacity
900 Amps

Note: Corresponding letter determines voltage class
K=24kV M=36kV P=42kV



(K)(M)(P) 480TB/G

Connector for cable sizes up to 300 mm²

Conductor size

- MIN 35 mm²
- MAX 300 mm²



800PB/G

Piggyback Connector type
(if applicable)



(K)(M)(P) 484TB/G

Connector for cable sizes up to 630 mm²

Conductor size

- MIN 35 mm²
- MAX 630 mm²



484PB/G

Piggyback Connector type
(if applicable)



(K)(M)(P) 489TB/G

Connector for cable sizes up to 1200 mm²

Conductor size

- MIN 630 mm²
- MAX 1200 mm²



489TB/G

Piggyback Connector type
(if applicable)



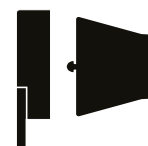
Stud+nut
+washer



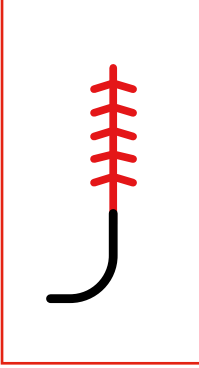
Conductor lug
with shear off bolts



Cable reducer



Basic insulating plug
(K)(M)(P)800BIPA
+ rubber cap



POWER ACCESSORIES

UNDERGROUND JUNCTION CHAMBER

**WE DELIVER THE BEST SOLUTIONS
TO SUPPORT YOUR PROJECT NEEDS**

—
NEXANS AUSTRALIA
2/ 69 Dalton Road
Thomastown Vic 3074
Australia
Tel: +61 3 9205 8400
nexans.salesnpaa@nexans.com



nexans.com.au

Nexans
ELECTRIFY THE FUTURE